



RVS10000

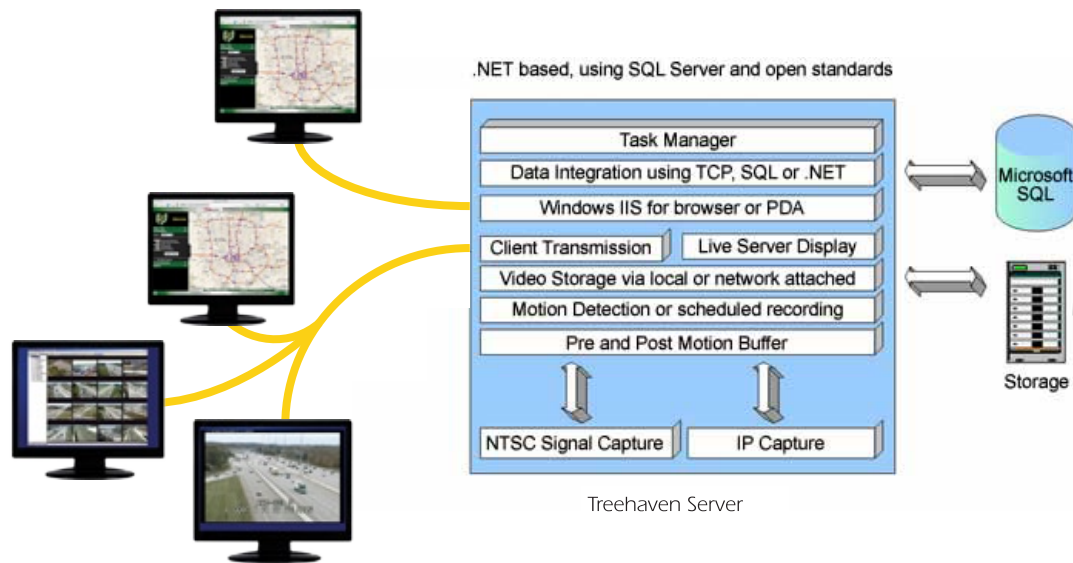


Back

Features:

- Network PTZ control of both analog & IP cameras
- Supports Honeywell, Pelco D, Vicon, COHU, Bosch & Panasonic PTZ Protocols
- Supports most IP cameras (see Treehaven website for complete list)
- Integrates joystick and network PTZ control
- 8, 16 or 32 simultaneous channels of MJPEG, MPEG4 and WMV encoding
- Selectable per channel frame rate from 1 to 30 FPS
- Resolutions available from 320 X 240 to 720 X 480
- View live or recorded video on the server via the network or web browser
- Treehaven's Network Client allows you to connect to an unlimited number of servers and view cameras from different servers on the same screen
- Supports seamless integration of both analog and IP video
- External analog video switch interface for legacy systems
- Eight RS232/422/485 control ports for joysticks, cameras, video switchers and alarm interfaces
- Joystick partitions and priorities
- User based camera call-up and control partitions
- Records 480 FPS over 32 channels
- Continuous, motion activated, scheduled or event based recording by camera in AVI format
- Programmable motion zone sensitivity
- Pre and Post motion recording buffers
- Recorded video stored on multiple local and network hard drives
- System health reporting capability including system problems, camera problems and server problems
- Supports external storage devices including file servers, NAS and SAN
- Up to 6 TB of disk storage available

Open Architecture - Developed with leading Microsoft .Net and SQL Server Technologies



Web client supports up to 32 live streams from both JPEG and MPEG4 cameras

Most Compression Options

- JPEG
- MPEG-4
- H.262
- H.264

Proprietary transcoding technology saves up to 10x bandwidth and 3x disk storage

Application runs as a Windows Service

Multi server environment (unlimited servers and cameras) with central monitoring and configuration

Stores files in native AVI formats requiring no conversion for export

SQL Based

- RVS10000 stores settings and event log events in the MS SQL database
- SQL is setup during installation and included with the product
- Multiple servers can share a single database
- The SQL server can be anywhere on the network

Web Server

- 2008 Server
- IIS Load Balancing

Multi server environment (unlimited servers and cameras) with central management and monitoring

Live Video

- View live video on the server, the network, or on the Internet using a web browser
- Up to 30 FPS (frames per second) per camera
- Quickly navigate between cameras from any server using standard windows explorer tree structure
- Standard layouts include single camera full screen or multiple camera combinations
- Customizable layout buttons pull cameras from analog and IP cameras
- Create an unlimited number of custom layouts viewing up to 32 cameras from any server
- Unlimited image zoom
- Large groups of users can view live video simultaneously limited only by available bandwidth. Integrated support for Microsoft Load Balancing
- Manage large numbers of cameras from multiple locations with Maps
- View cameras in Full screen
- Mouse click saves current image
- Support for any Windows resolution including 2560 x 1600
- Web Client
- High Speed Client Streaming

Recorded Video

- Record always, on motion, on a schedule or on a trigger basis
- Support for 4 compression options including Microsoft WMV and MPEG4
- Each camera is stored in individual AVI files
- View recorded video on the server, via the network, or on the internet using a web browser
- Intuitive play, pause, and rewind functionality
- Multi-resolution support for IP cameras - record both low and high resolution images simultaneously
- Record time-lapse - each camera can be independently adjusted to record as little as 1 image per day
- View recorded video via network drive mapping or via MPEG4 steaming over low speed connection
- Easy navigation using standard windows explorer tree structure. Recorded video is organized in folders by day and then sorted by time.
- No limitation on the number of viewers that can simultaneously access a DVR on the network
- Video editing and clip management, including merging multiple files into one
- Burn clip directly to DVD
- Option to integrate standalone player with clip
- Timeline search
- Thumbnail browse
- Synchronized playback from multiple cameras

Recording Specifications

- Records up to 480 frames per second over 32 cameras
- Works with NTSC or PAL analog cameras as well as 150 models of IP cameras
- Camera resolution available from 320 X 240 to 720 X 480

Storage

- Supports external storage devices including servers, NAS, and SAN
- Multiple Compression Options: WMV, MJPEG, MPEG-4

Technology

- PC based - Leverages your existing in house technical expertise
- Utilizes latest processor technology including Intel Quad Core
- Stores all video in standard AVI files but utilizes the latest compression methods. Recorded files can play in any standard media player without any conversion.
- Support for new compression is added via software upgrade.
- Built for Windows XP and 2008 Server
- High speed WMV, H.263 or MPEG4 based streaming to the Network Client. System is capable of usable frame refresh even over a dial up 56k modem.
- Developed with leading Microsoft .Net Technologies
- Multi server environment (unlimited servers and cameras) with central monitoring
- SQL Based
- IIS Load Balancing
- Support for Dynamic DNS

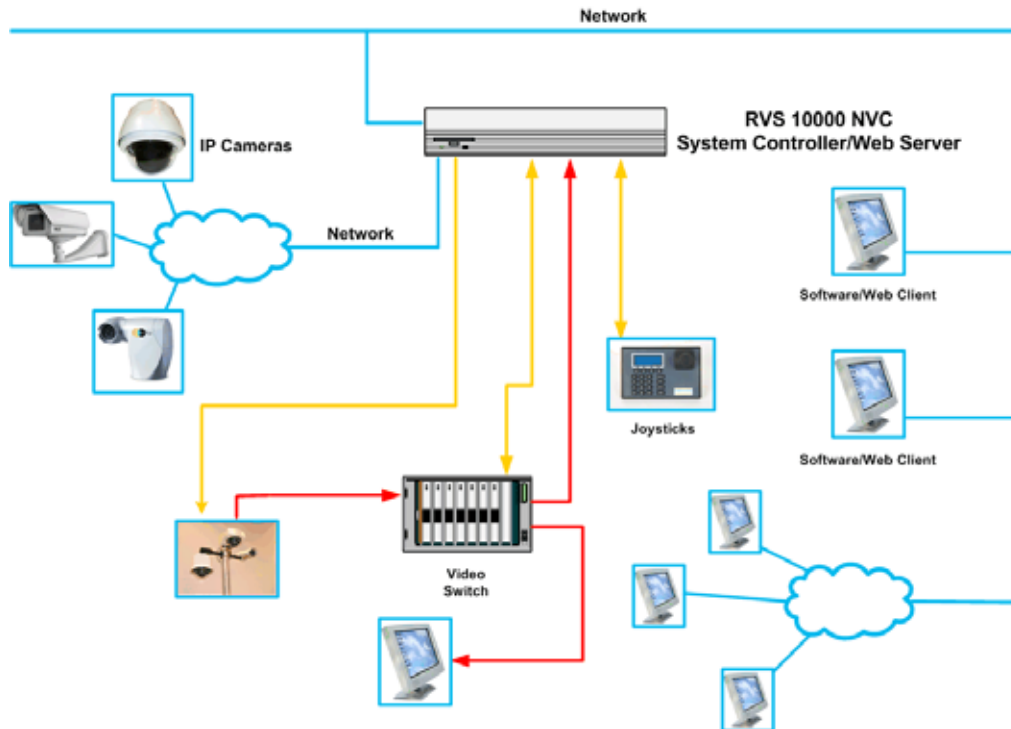
Accessory Products

- Archiver - In addition to support for local and network attached storage, the Archiver can copy recorded files from RVS10000 Server to another storage location on a scheduled daily basis after video is x number of days old

Utility

- Enterprise Manager allows administrators with proper authorization to change users rights, camera and system settings from a central application.
- Offsite storage options available

Typical Configuration & Specifications



Inputs and Outputs

Video	32 NTSC (EIA 170) 1 VPP 75 Ohm, 60 Hz or 16 PAL (CCIR 624) 1 VPP, 75 Ohm, 50 Hz
Data	8 RS232/RS422/RS485 (Biased or Unbiased)

Video Parameters

Compression	MJPEG, MPEG4, WMV and H.263 Files stored in AVI Format
Refresh Rate Live	16 Channels at 30 FPS 32 Channels at 15 FPS
Record Rate	480 FPS at D1

CPU

Processor	Intel Quad Core
Front Side Bus	1066 MHz
Cache	2 MB Minimum
Buses	PCI-X, PCIe

Memory

Architecture	DDR2 533/667 MHz
Capacity	2 GB Min, 8 GB Max

Drives

Hard Drives	SATA, SAS, 2.4 TB Max
Optical Drives	CD, DVD, CD-RW/DVD

Connectors (Back)

Network Adapter	Two RJ-45
PS/2-style keyboard	6-pin mini-DIN
PS/2-style mouse	6-pin mini-DIN
Serial	9 pin D- Sub
USB	Two 4-Pin USB 2.0
Video	15-pin VGA

Connectors (Back)

Video	15-pin VGA
USB	Two 4-Pin USB 2.0

Environmental

Temperature	10 - 50 deg C
Humidity	20 - 80%, Non-Condensing

Power Supply

Voltage	100 - 240 VAC 50/60 Hz
Power	345 Watts

Mechanical

Dimensions	19" W X 3.5" H X 23" D
Weight	26 lbs