

OPERATION QUICK GUIDE



Camera Callup

Enter the desired camera number and then press *CAMERA*.
Or press *CAMERA*, enter the camera number, then press *ENTER*.

Monitor Callup

Enter the desired monitor number and then press *MONITOR*.
Or press *MONITOR*, then the enter the monitor number, then press *ENTER*.

PreSet (PreShot)

Enter the desired PreSet number and then press *PRESET*.
Or press *PRESET*, then the enter the PreSet number, then press *ENTER*.

Soft Key Functions

The bottom line of the display shows the function associated with the soft keys. Scroll through these functions using the *FUNCTION* key.

Cam and Mon

The top line of the display always shows the current camera and monitor.

CLEAR

Use the Clear key to cancel or erase a numeric entry or back out of a menu selection.

ENTER

Use the Enter key to complete a numeric entry and issue the command.

CAMERA

Use the Camera key to select the desired camera.

Soft Keys

Use the soft keys to select the function shown on the bottom of the display

FUNCTION

Use the Function key to scroll through the top level soft key menus.

PRESET (PreShot)

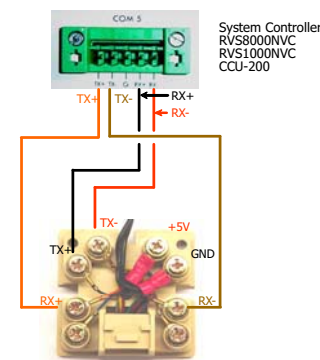
Use the PreSet key to select the desired PreSet.

MONITOR

Use the Monitor key to select the desired monitor. Used when the RVS3000 is connected to a system controller.



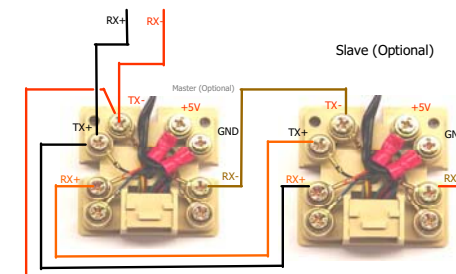
INSTALLATION QUICK GUIDE



JPD200 Mode



JPD101 Mode



NOTES:

- THE RVS3000 MUST BE CONNECTED TO THE 5V POWER SUPPLY PROVIDED BY TREEHAVEN TECHNOLOGIES.
- CAN BE PLUGGED DIRECTLY INTO ANY MODEL OF TREEHAVEN TECHNOLOGIES FIELD BOX CAMERA SUPPLY.
- ON EXISTING INSTALLATIONS USING DIA-01 POWER SUPPLIES, THE DIA-01 MUST BE REPLACED WITH THE POWER SUPPLY AND JUNCTION BOX PROVIDED BY TREEHAVEN TECHNOLOGIES.
- COILED DATA CABLE PROVIDED WITH THE JPD SERIES JOYSTICK CONTROLLERS CANNOT BE USED WITH THE RVS3000. USE THE CAT5 MODULAR DATA CABLE PROVIDED WITH THE RVS3000.

THE INFORMATION CONTAINED ON THIS DRAWING IS BELIEVED TO BE ACCURATE IN ALL RESPECTS. HOWEVER, TREEHAVEN TECHNOLOGIES, INCORPORATED CANNOT ASSUME RESPONSIBILITY FOR ANY CONSEQUENCES RESULTING FROM THE USE THEREOF. THE INFORMATION CONTAINED HEREIN IS SUBJECT TO CHANGE WITHOUT NOTICE. REVISIONS OR NEW EDITIONS OF THIS DRAWING MAY BE ISSUED TO INCORPORATE SUCH CHANGES

TREEHAVEN TECHNOLOGIES, INC.

24 VILLAGE POINTE DRIVE

POWELL, OH 43065

PHONE: 614.791.8843 FAX: 614.789.0252

Title

INSTALLATION DRAWING, RVS3000 CAMERA CONTROLLER

Size	B	Number	RVS3000	Rev	1
Date	5/31/07			Drawn by SVC	